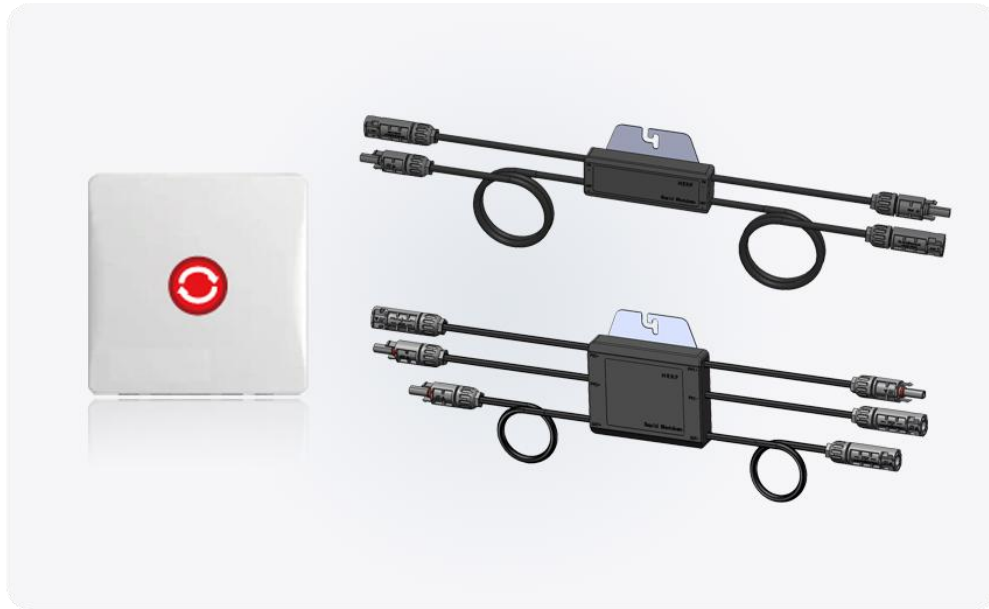


HERF Series Rapid Shutdown (PLC)



Perfectly Fit With Huawei Inverter



Shutdown while Ambient temperature is over 85°C



Slim size match module perfectly



Flame retardant rating: UL94-V0



Protection Level: IP68

Technical parameters

Module Level Rapid Shutdown

Index	Parameter			
Model	HERF-L-16-S	HERF-L-21-S	HERF-L-16-D	HERF-L-21-D
Maximum input current (A)	16	21	16	21
Input voltage range (V)	14~80			
Maximum system voltage (V)	1500			
Operating temperature (°C)	-40~85			
Degree of protection	IP68			
Input / output line length (mm)	Input 150mm/Output 1200mm		Input 150mm/Output 1800mm	
Input / output wire diameter (mm) ²	4mm ² /12AWG			
Connection terminal type	MC4			
Communication type	PLC			
Over temperature protection function	yes			

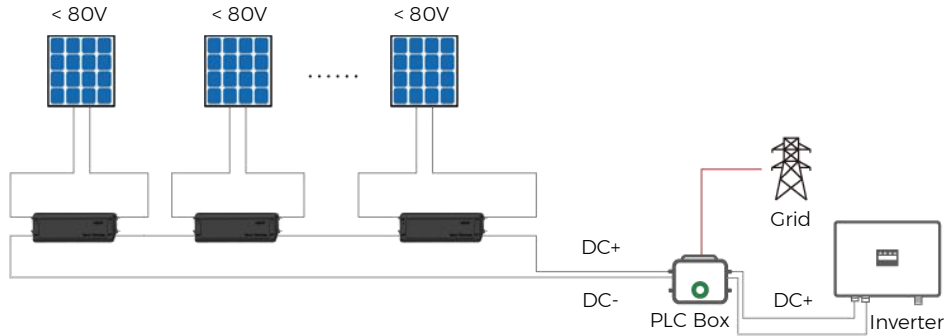
PLC Box

Index	Parameter	
Model	HERF-PLC-S	HERF-PLC-D
Maximum input current (A)	16、21	
Input voltage range (V)	85~275	
Maximum system voltage (V)	1500	
Operating temperature (°C)	-40~85	
Degree of protection	IP68	
Maximum number of supported PV panel strings	1	2
Maximum number of photovoltaic panels supported in each string	30	
Connection terminal type	MC4	
Communication type	PLC	
Over temperature protection function	yes	

The inverter does not contain sunspec

When the open-circuit voltage of PV panel is below 80V.

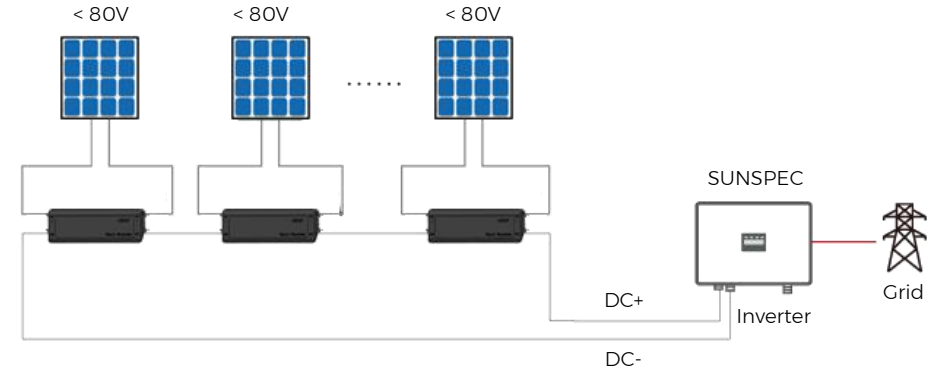
HERF-L-16-S
HERF-L-21-S



The inverter contains sunspec

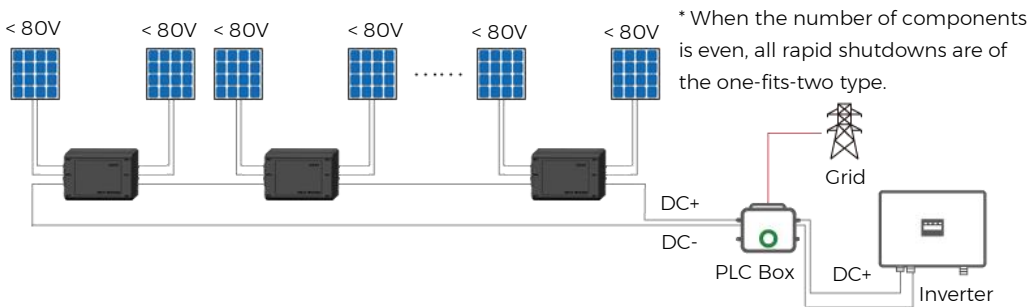
When the open-circuit voltage of PV panel is below 80V.

HERF-L-16-S
HERF-L-21-S



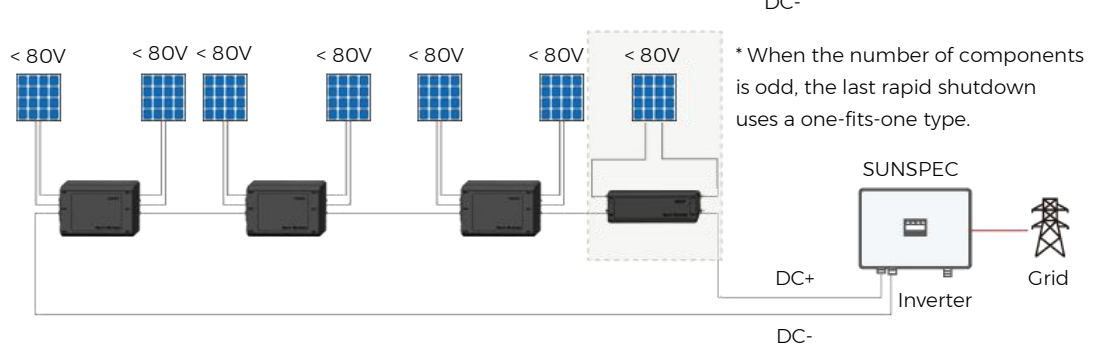
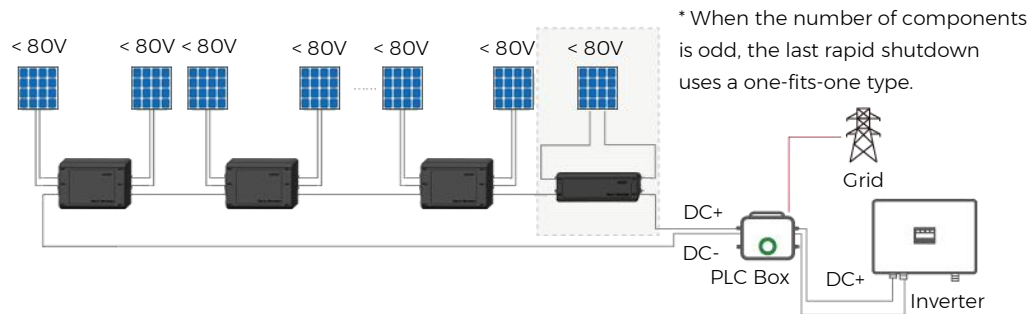
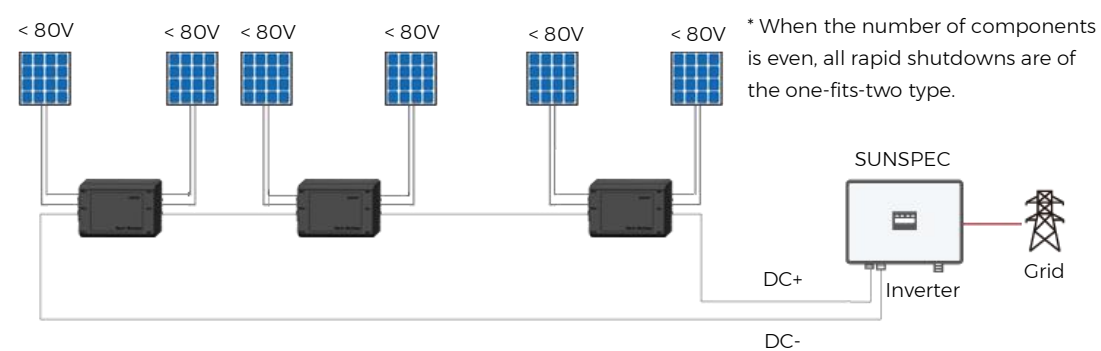
When the open-circuit voltage of PV panel is below 80V.

HERF-L-16-D
HERF-L-21-D

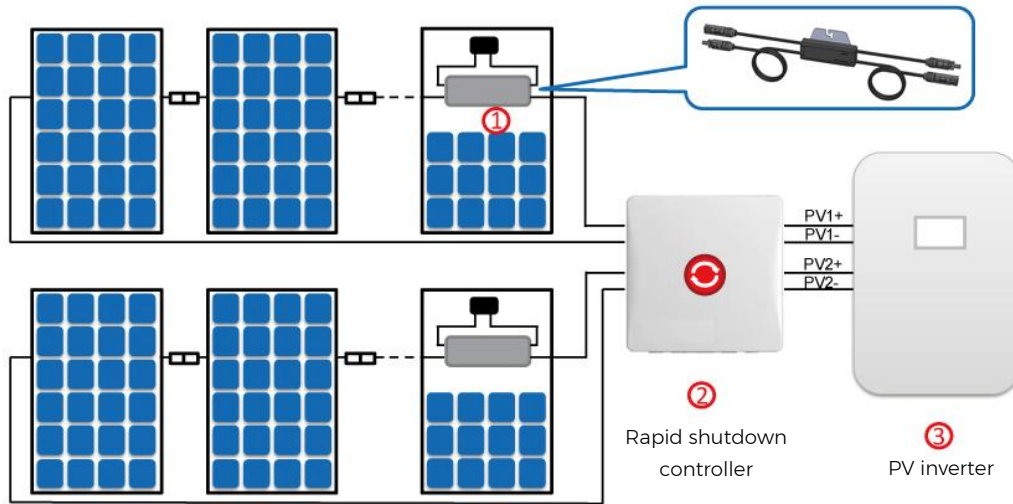


When the open-circuit voltage of PV panel is below 80V.

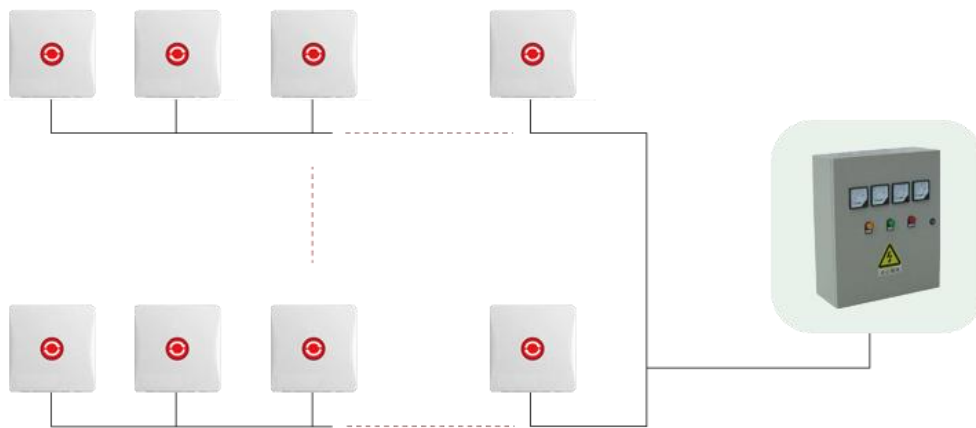
HERF-L-16-D
HERF-L-21-D



Rapid Shutdown (PLC)



PLC Control Box



Shutdown Mode

Automatic Shutdown



Automatically shutdown the DC power of panels when detecting Temperature of the area is higher than 85°C.

Manual Shutdown



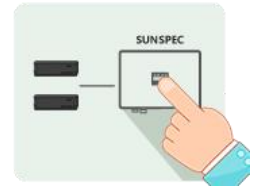
In an emergency, firefighters or Homeowners can manually turn off the AC power of the Distribution box.

Manual Shutdown



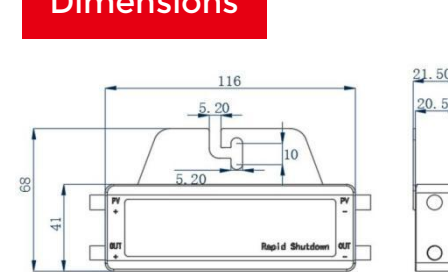
In an emergency, it can be shut down manually through the Panel Level Rapid Shutdown Controller Box.

Shutdown With Inverter

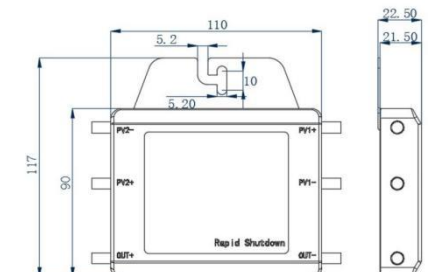


In an emergency, it can be manually turned off by the DC switch in the SUNSPEC inverter.

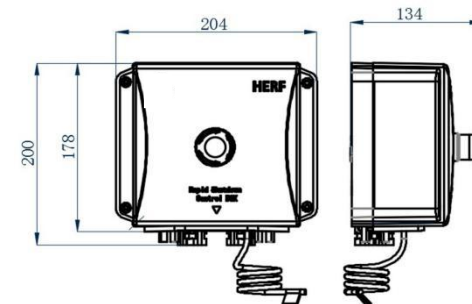
Dimensions



HERF-S (Hanging plate)



HERF-D (Hanging plate)



HERF-PLC